

# INSTRUCTION



Thank you for purchasing the meter. Before installing, please check the instruction carefully.

## Notice

1. Power supply: battery (9V-1604, 6LR61.)
2. For installation, please follow the steps described in manual. Any damage caused by wrong installation shall be imputed to the users.
3. Don't break or modify the wire terminal. To avoid the short circuit, please don't pull the wire when installing.
4. Do not disassemble or change any parts excluding the manual description.
5. The interior examination or maintenance should be executed by our professionals.

## MARK MEANING:

**NOTE** You could get the installation details from the information behind the mark.

**NOTE** Some processes must be followed to avoid the affection caused by wrong installation.

**WARNING!** Some processes must be followed to avoid damages to yourself or the public.

## 1-1 Accessory

<b>1</b> LCD meter X 1	<b>2</b> Meter main wire set X 1	<b>3</b> RPM clamp X 1	<b>4</b> RPM wire set X 1
<b>5</b> Temp sensor wire set X 1	<b>6</b> PT 1/8 water temp sensor X 1	<b>7</b> Battery case X 1	<b>8</b> Blind X 1
<b>9</b> 3 mm spanner X 1	<b>10</b> Meter bracket X 1 set	<b>11</b> M4 screw X 3	<b>12</b> M5 gasket X 3
<b>13</b> M6 X 35L screw X 2	<b>14</b> M8 X 30L screw X 2	<b>15</b> M6 screw X 2	<b>16</b> M8 screw X 2
<b>17</b> M6 gasket X 2	<b>18</b> M8 gasket X 2		

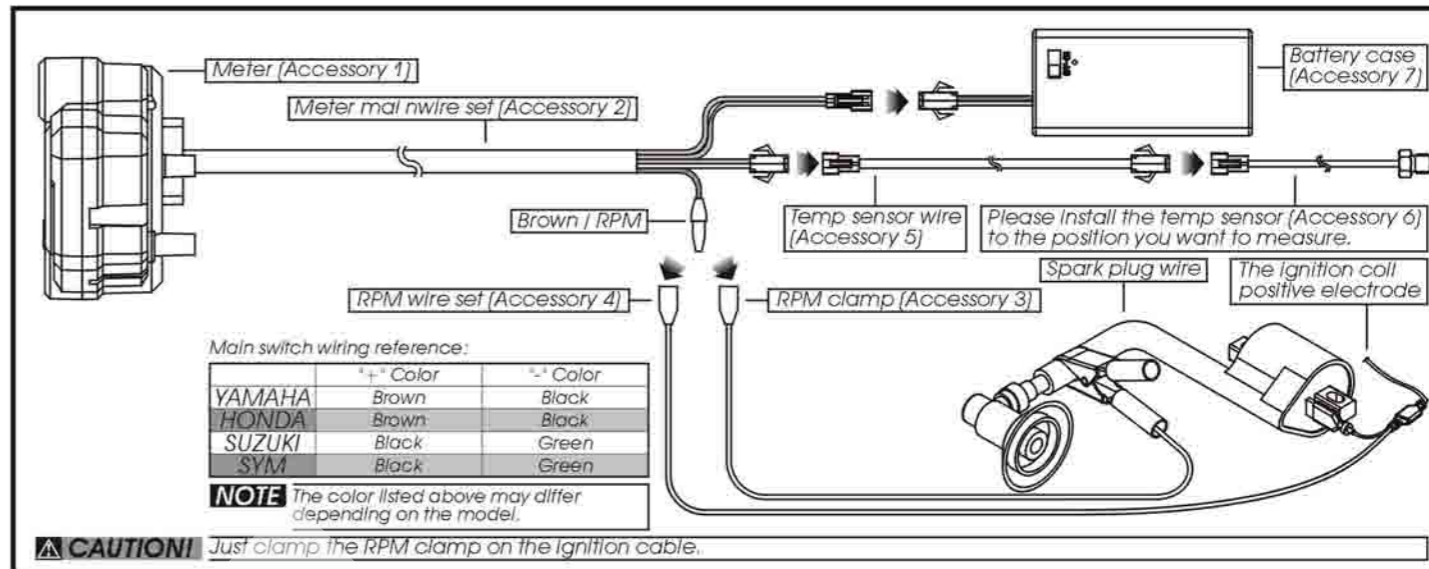
**NOTE** Please contact the local distributor if the items you open are not the same, with the above-listed one.

## 1-2 Option accessory

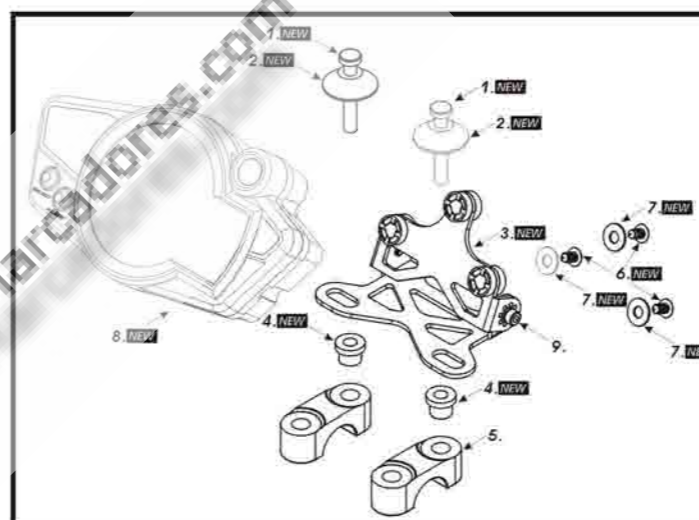
<b>1</b> Oil temp sensor adapter M12 X P1.5 X 15L M14 X P1.25 X 16L M14 X P1.5 X 15L M16 X P1.5 X 15L M18 X P1.5 X 15L M20 X P1.0 X 15L M20 X P1.5 X 15L	<b>2</b> Water temp sensor adapter M14 M16, M18 M22, M26 mm	<b>3</b> Cylinder head temp sensor M10, M14 mm	<b>4</b> Temp sensor M10 X P1.0 M12 X P1.5 M14 X P1.25 M14 X P1.5 M16 X P1.5 / M18 X P1.5
<b>5</b> Meter bracket (For handle bar)			

**NOTE** Some of the option accessories may not sell. For the details, please contact the local distributor.

## 2-1 Wiring installation instructions



## 2-2 Installation instructions



When installing, please follow the process

1. M6 or M8 screw X 2 (Accessory 13, 14)
2. M6 or M8 aluminum screw bush X 2 (Accessory 15, 16)
3. Bracket (Accessory 10)
4. M6 or M8 gasket X 2 (Accessory 17, 18)
5. Handle bar bracket

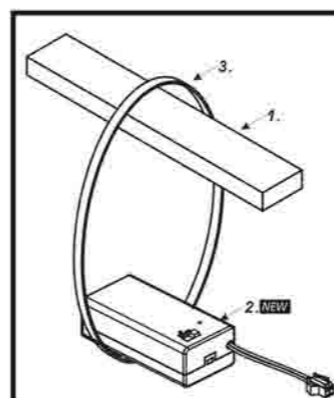
**NOTE** You could also install it (meter bracket) on the original meter bracket.

6. M4 screw X 3 (Accessory 11)
7. M5 gasket X 3 (Accessory 12)
8. Meter (Accessory 1)
9. Meter bracket micro-adjustment screw

**NOTE** You could choose the angle first and then use the screw to fix the angle.

**NOTE** The handle bar bracket screw and screw hole will differ depending on different model. We suggest you to use the option assembly (item 5) to fit it.

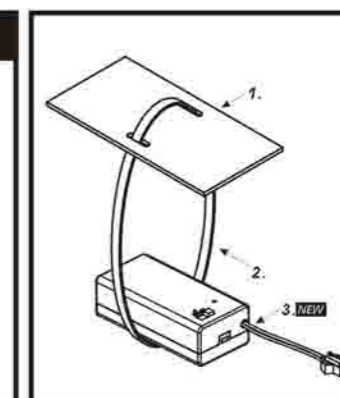
## 2-3 The instruction of battery box fix to the bike frame



When installing, please follow the process

1. The position you would like to fix the battery box.
2. Battery Box
3. Use the cable tie to fix battery box on bike.

## 2-4 The instruction of battery box fix to the bike case



When installing, please follow the process

1. Drill 2 holes (3 x 10mm) on the position you would like to fix battery box on.
2. Use cable tie pass through two hole you just drill.
3. Fix the battery box on bike by cable tie.

### 3-1 Basic function instruction



**Tachometer**  
 ● Display range: 0~16,000 RPM.  
 ● Display unit: 100 RPM.

**Shift light**  
 ● Setting range: 3,000~16,000 RPM.  
 ● Adjusting unit: 100 RPM.  
 > Regarding the setting, please check 4-1.

**Thermometer**  
 ● Display range: 0~110°C.  
 ● Display unit: 1°C.

### 3-2 Function instruction

● Tachometer	Display range: 0~16,000 RPM Display unit: 100 RPM	● BATTERY TYPE	9V-1604, 6LR61
○ Over RPM shift light	Setting range: 3,000~16,000 RPM Setting unit: 100 RPM	● Effective temperature range	-10~+60°C
○ Stroke / piston setting	2 Stroke: 1, 2, 3, 4 pistons 4 Stroke: 1, 2, 3, 4, 5, 6, 8, 10, 12 pistons	● Meter standard	JIS D 0203
● Temperature	Display range: 0~110°C	● Meter size	151.8 X 81.5 X 52.5 mm
		● Meter weight	Around 212 g

**NOTE** Design and specification are subject to change without notice!

#### 4-1 Over RPM alert function instruction

In main screen, press the **Select button** 1 time to over RPM alert function instruction.

Press the **Adjust button** to make the setting.  
 ▲ Now the number you set is flashing.

Press the **Select button** 3 times to back to the main screen.

#### 4-2 Strokes / pistons setting instruction

In main screen, press the **Select button** 2 times to enter the strokes / pistons setting instruction.

Press the **Adjust button** to choose the stroke.  
 ▲ Now the stroke setting are flashing.

Press the **Select button** 1 time to enter the pistons setting screen.  
 ▲ Now the pistons setting are flashing.

Press the **Adjust button** to set the piston.

Press the **Select button** 1 time to back to the main screen.

Motomarcadores.com