

LED Voltage meter



INSTRUCTION



- Thank you for purchasing **KOSO Voltage meter**, before operating the unit, please read the instruction thoroughly and retain it for the future reference.

⚠ Notice

1. The LED meter is apply for **DC 12V**.
2. For installation, please follow the steps described in manual. Any damage caused by wrong installation shall be imputed to the users.
3. To avoid the short circuit, please don't pull the wire when installing. Don't break or modify the wire terminal.
4. Do not disassemble or change any parts excluding the manual description.
5. The interior examination or maintenance should be executed by our professionals.

© SYMBOL NOTE :

NOTE You could get the installation details from the information behind the mark.

WARNING! Some processes must be followed to avoid the danger to yourself or the public.

CAUTION! Some processes must be followed to avoid the damage to vehicles.

1-1 Accessory

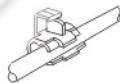
1 Voltage Meter X 1



2 Twin adhesive X1

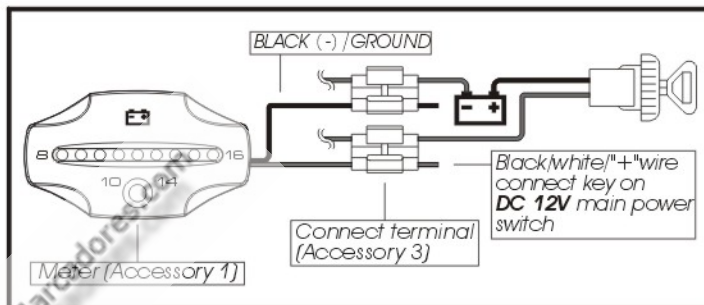


3 Connect terminal X 2



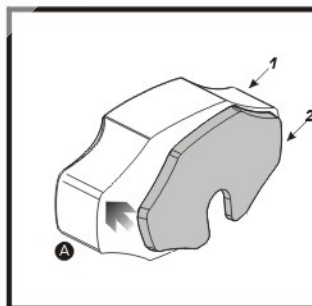
NOTE Please contact the local distributor if the items you open are not the same, with the above-listed one.

2-1 Wiring installation instructions



NOTE Please connect the harness with the original wire.

2-2 Installation instructions



When installing, please follow the process.

1. Meter (Accessory 1)
2. Twin adhesive (Accessory 2)
- Ⓐ Please stick twin adhesive (Accessory 2) on back side of meter as arrow showing.
3. Stick voltage meter on the location where you would like meter install on.

3-1 Basic function instruction

Extreme high/low voltage alarm

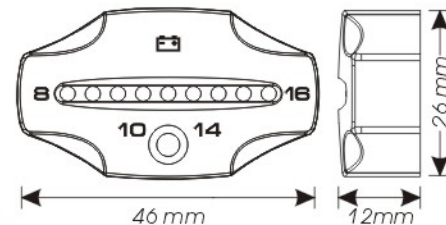
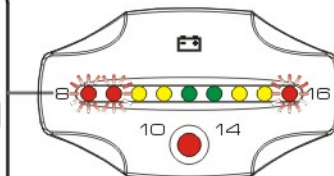
- The voltage below DC 10V
- The voltage over DC 16V
- >The LED showing on red and flash

CAUTION! *Mush change battery immediately.*

High/Low voltage warning

- The voltage between DC 10~ 11V or 14~ 15V
- >The LED showing on Yellow

CAUTION! *The voltage of battery is not stable.*



● Voltage indicator	Display range : DC 8~ 16V Display unit : DC 1 V
● Safe voltage display range	The LED zone of DC 12~ 13V The LED showing on Green
● Effective voltage	DC 12V

● Effective temperature range	-10~ +60°C
● Meter standard	JIS D 0203
● Meter size	46 X 26 X 12 mm
● Meter weight	Around 24.2 g

NOTE *Design and specification are subject to change without notice!*